

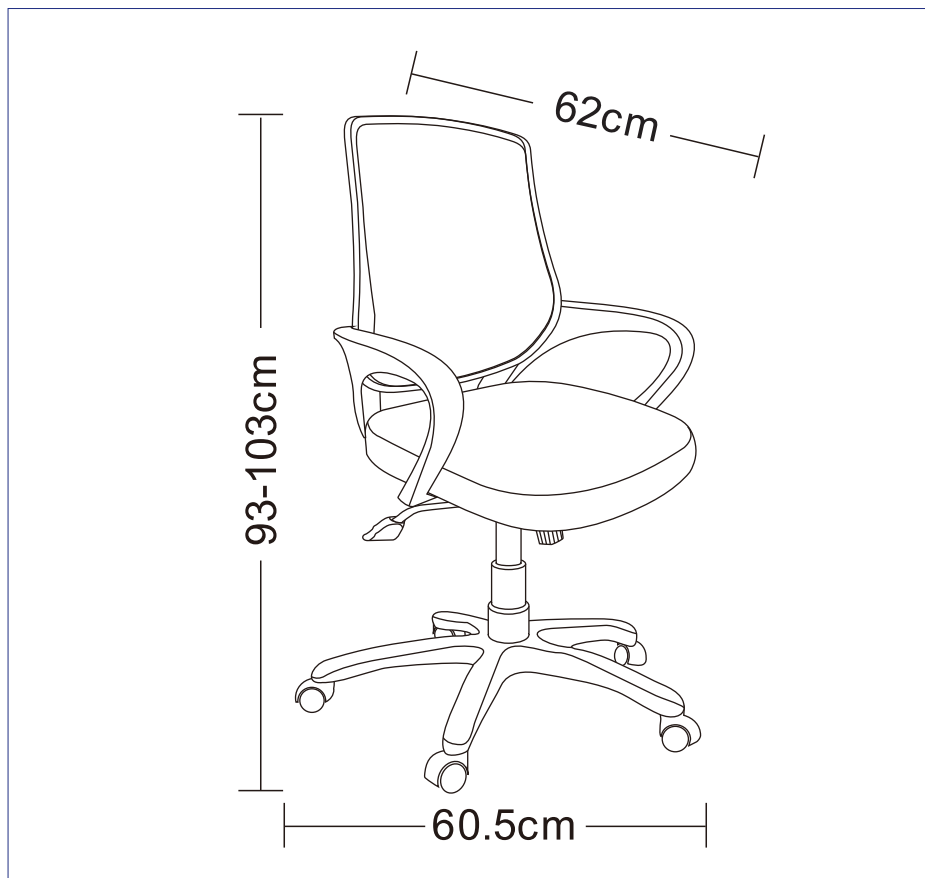


ASSEMBLY INSTRUCTION

Air Office Chair

ITEM CODE:53037

Imported by Amart Furniture Pty Ltd, Qld, Brisbane Australia.
For any assistance with assembly or for missing parts please phone
Amart Furniture, Customer Service Free call 1800 351 084

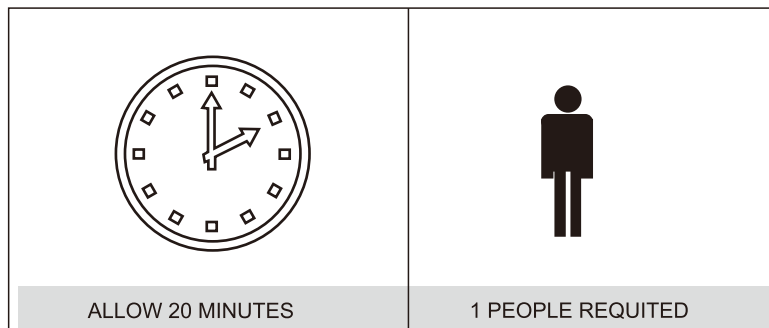


Imported by Amart Furniture Pty Ltd, Qld, Brisbane Australia.
For any assistance with assembly or for missing parts please
phone Amart Furniture, Customer Service Free call 1800 351 084

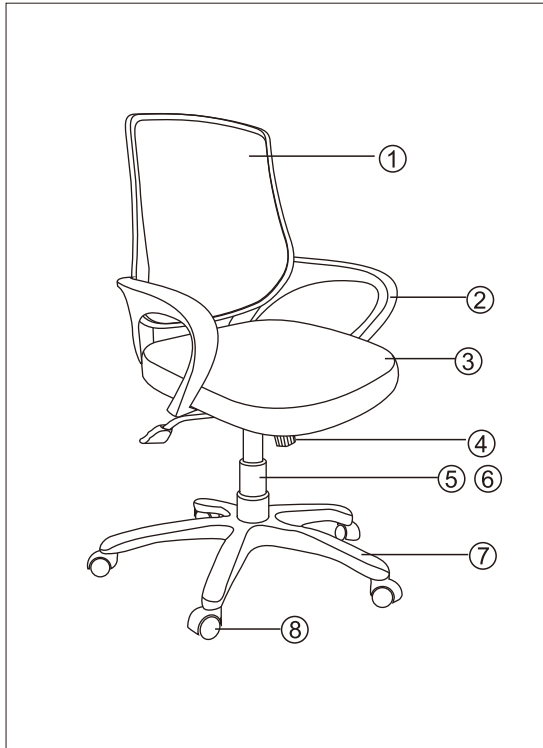
PRE-ASSEMBLY PREPARATION

Before you start :

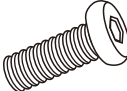
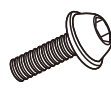
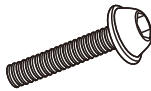



1. Choose a clean, level, spacious assembly area. Avoid hard surfaces that may damage the product
2. Take care when lifting. Product should be assembled as near as possible to the point of use
3. Ensure that you have all required contents for complete assembly
4. Always read the assembly instructions carefully before beginning assembly.
5. Keep all hardware parts and packaging out of reach of small children.
6. Do not over tighten the screws and bolts as this may damage the threads



PARTS LIST

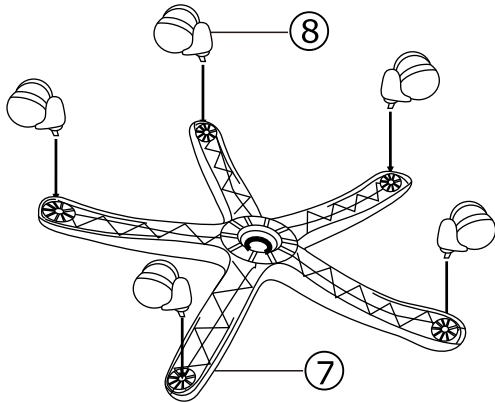


1	BACK
2	ARMREST (L)&(R)
3	SEAT
4	MECHANISM
5	GAS LIFT
6	GAS LIFT COVER
7	BASE
8	CASTOR

<p>A bolt <input type="checkbox"/></p>  <p>M8X16mm 4XPCS</p>	<p>B bolt <input type="checkbox"/></p>  <p>M6X16mm 4XPCS</p>	<p>C bolt <input type="checkbox"/></p>  <p>M6X30mm 4XPCS</p>
<p>D washer <input type="checkbox"/></p>  <p>Φ16XΦ6. 5X1mm 4XPCS</p>	<p>E rubber plug <input type="checkbox"/></p>  <p>Φ15mm 4XPCS</p>	<p>F allen key <input type="checkbox"/></p>  <p>5mm 1XPC</p>

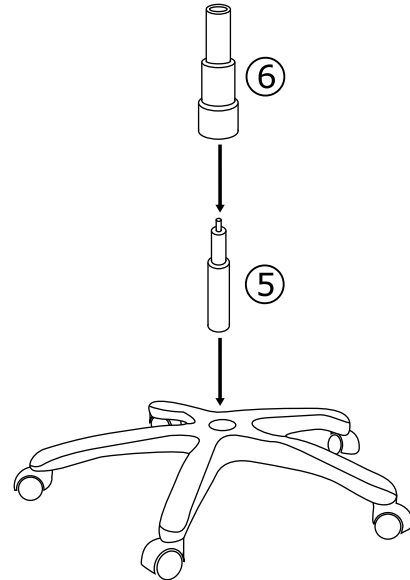
STEP1:

Insert castor (8) to base (7).



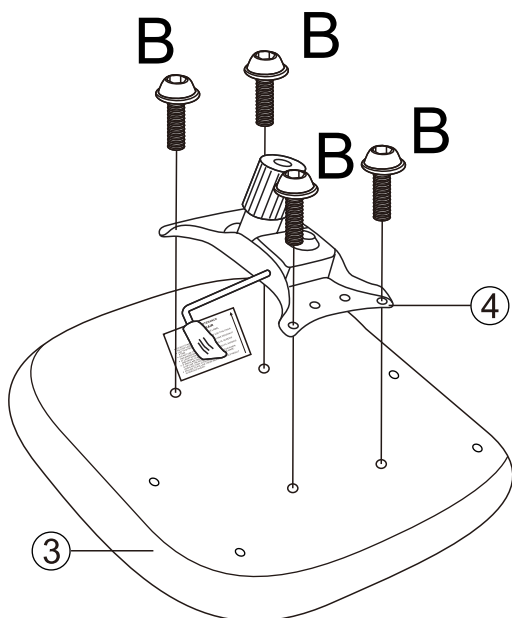
STEP 2:

Put gas lift (5) into base (7) as instruction shown, then put gas lift cover (6) on gas lift (5).



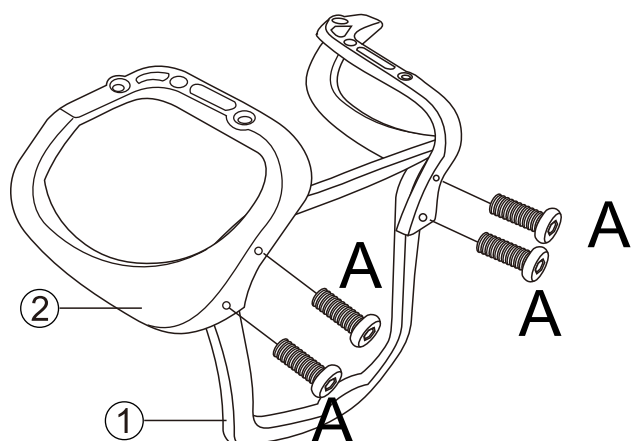
STEP3:

Mount mechanism (4) to seat (3) using bolt B, Tighten with allen key F.



STEP 4:

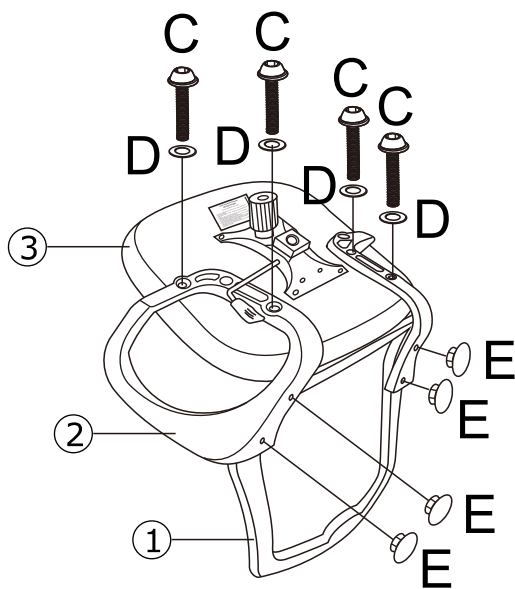
Connect armrest (2) to back (1), twist in screw A and tighten with allen key F.



STEP 5:

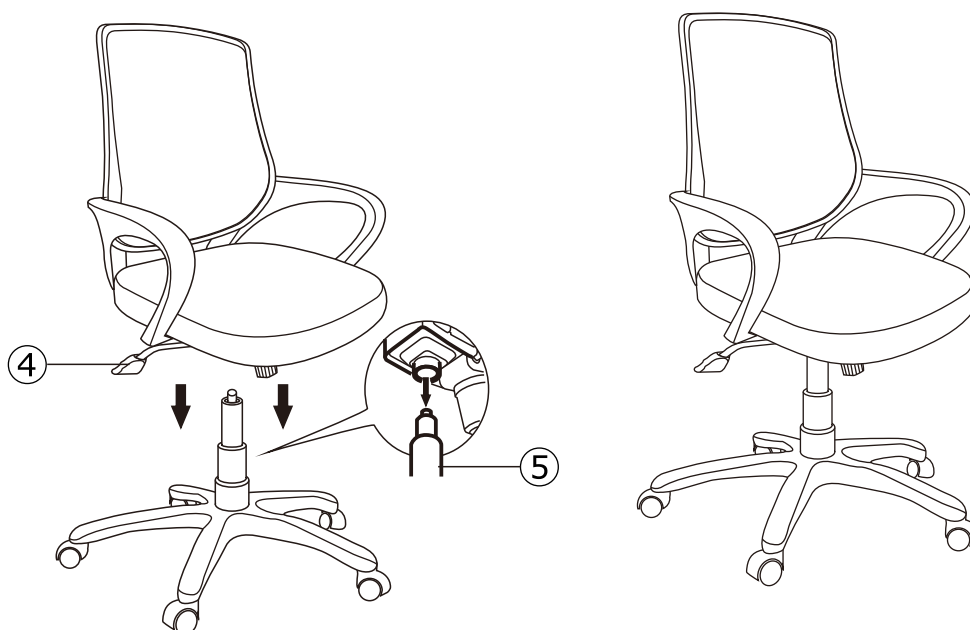
Connect armrest 2 to seat 3, twist washer D and screw C, tighten with allen key F.

Press the rubber plug E into the armrest hole 2.



STEP 6:

Put seat assembly (4) on gas lift (5), Assembly is complete.



CARE AND MAINTENANCE

OFFICE CHAIR

DO NOT REMOVE THIS LABEL

- DO NOT STAND ON THIS CHAIR-DO NOT USE THIS CHAIR AS STEP LADDER
- USE THIS PRODUCT ONLY FOR SEATING ONE PERSON AT A TIME
- DO NOT USE THIS CHAIR UNLESS ALL BOLTS, SCREWS AND KNOBS ARE FIRMLY SECURED.
- AT LEAST EVERY 4 MONTHS, CHECK ALL BOLTS, SCREWS AND KNOBS TO BE SURE THEY ARE TIGHT.
- IF PARTS ARE MISSING, BROKEN, DAMAGED OR WORN, STOP USE THE PRODUCT UNTIL REPAIRS ARE MADE. USING FACTORY AUTHORIZED PARTS.
- FAILURE TO FOLLOW THESE WARNINGS COULD RESULT IN SERIOUS INJURY.